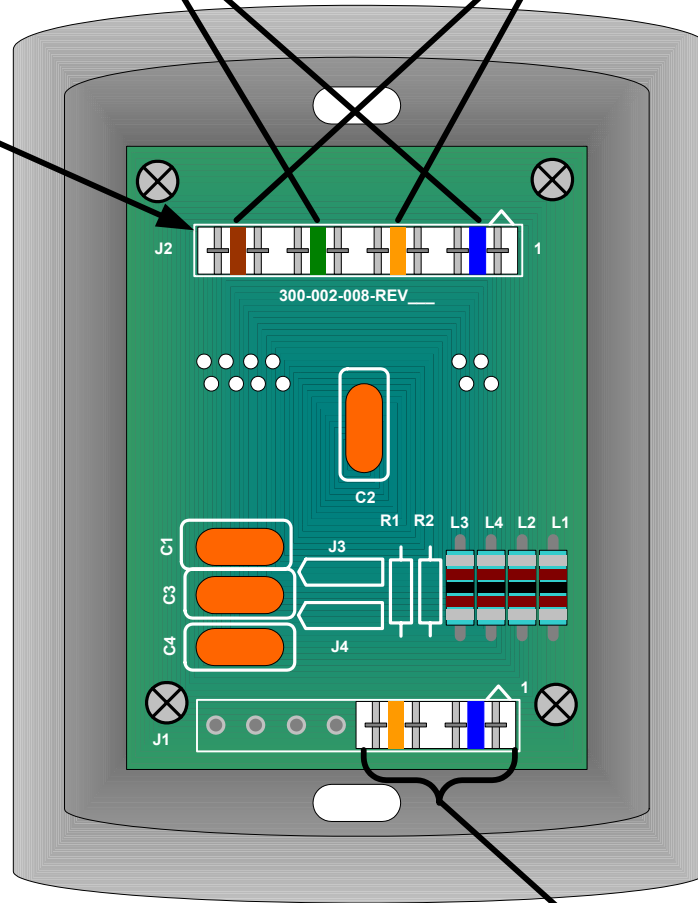


OverVoice Walljack

Line 1 is bridged together

Line 2 is bridged together

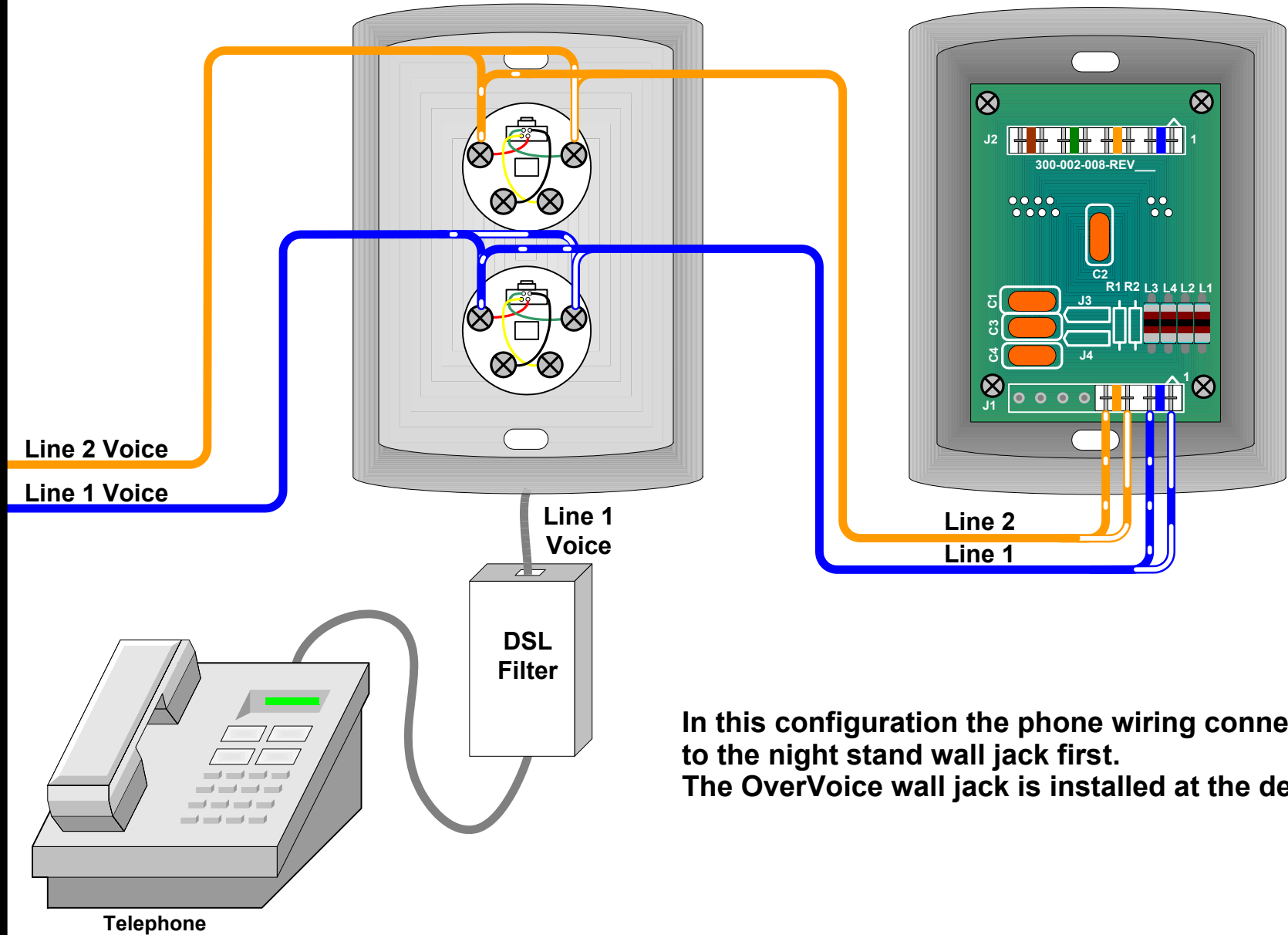
Input or output to next voice only walljack



Input from Overvoice Unit in Wiring Closet

Nightstand Voice Only

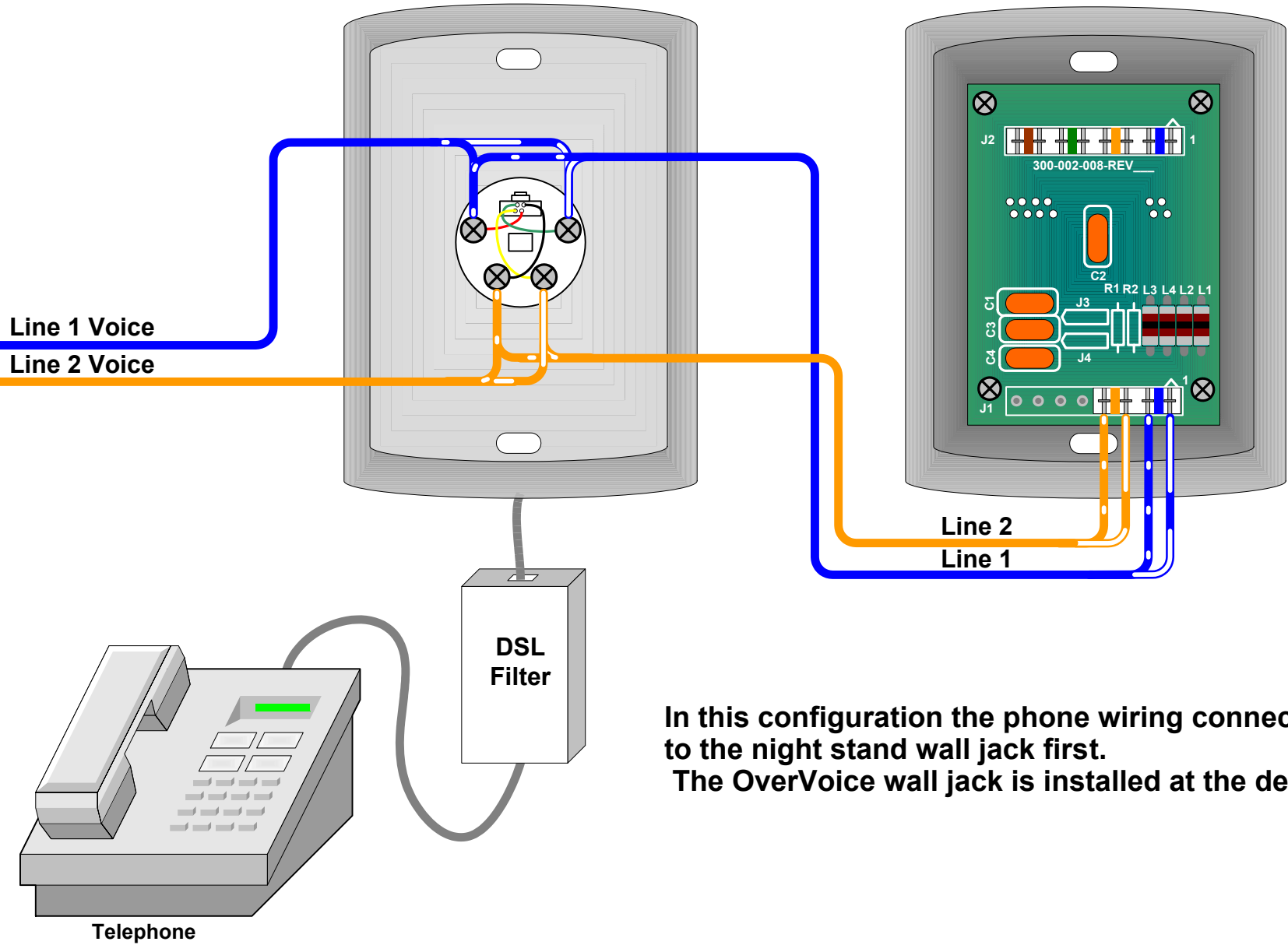
Desk OverVoice Walljack



In this configuration the phone wiring connects to the night stand wall jack first. The OverVoice wall jack is installed at the desk.

Nightstand Voice Only

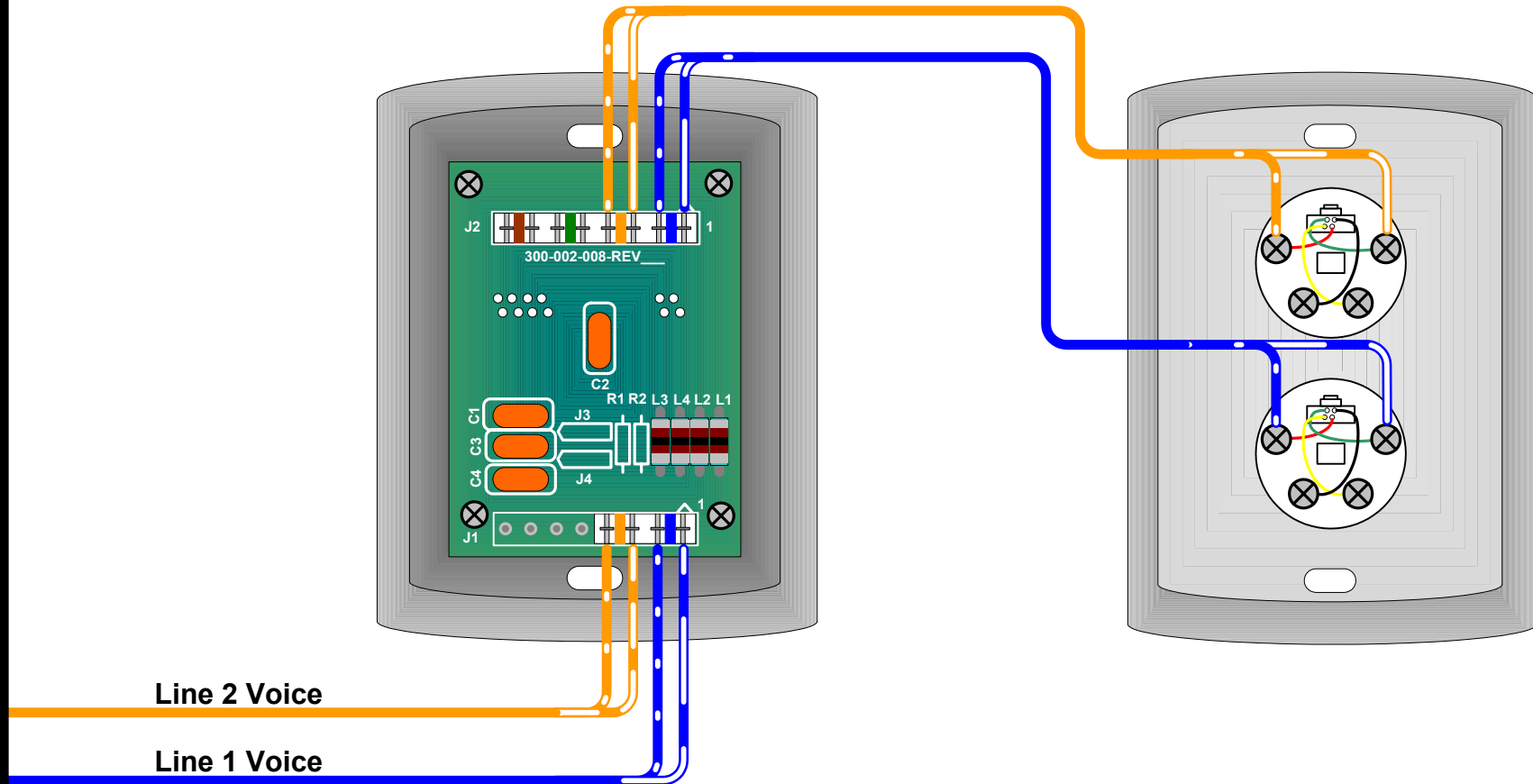
Desk OverVoice Walljack



In this configuration the phone wiring connects to the night stand wall jack first.
The OverVoice wall jack is installed at the desk.

Desk OverVoice Walljack

Nightstand Voice Only



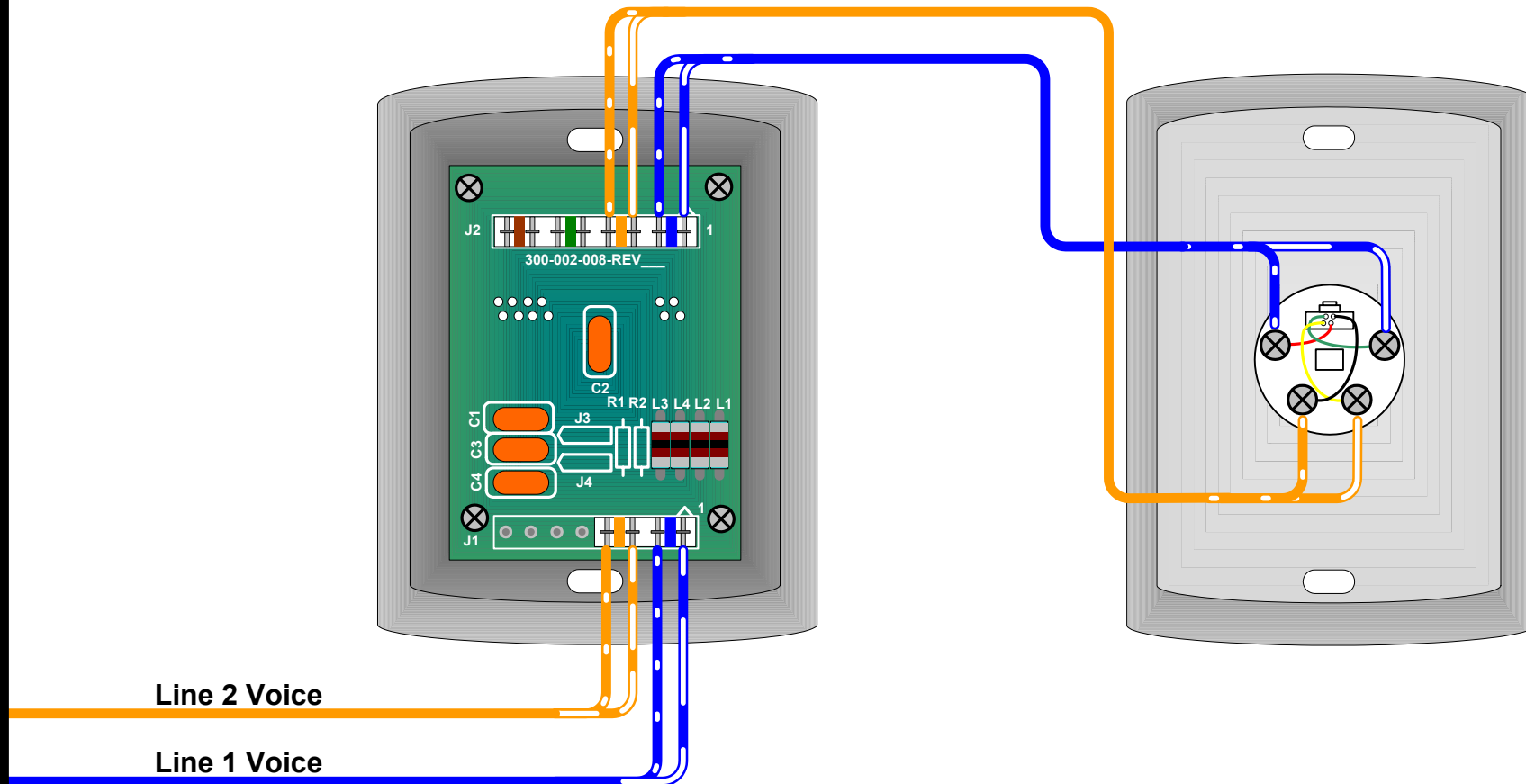
Line 2 Voice

Line 1 Voice

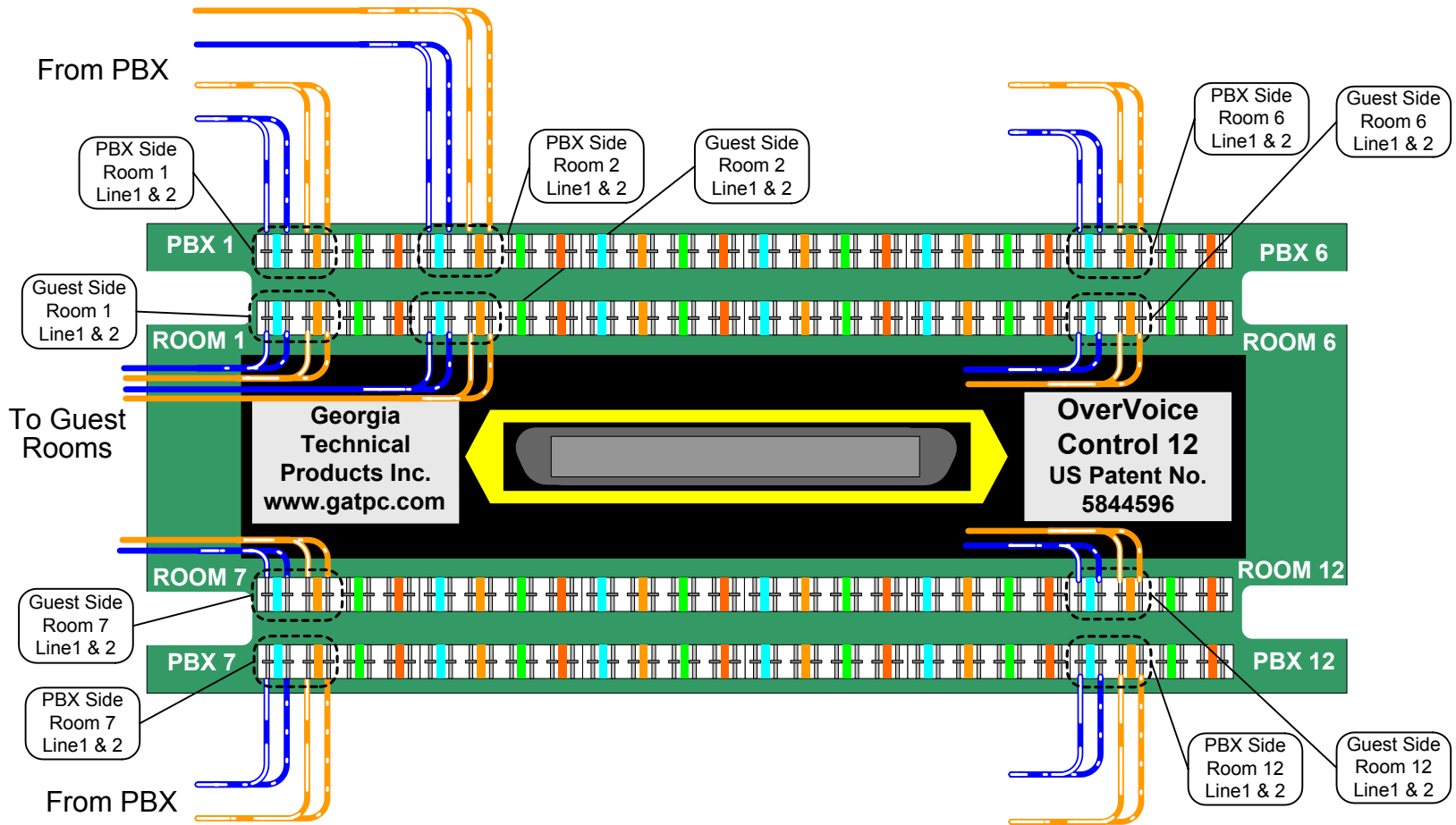
In this configuration the phone wiring connects to the desk walljack first.
The OverVoice walljack is installed at the desk.

Desk OverVoice Walljack

Nightstand Voice Only



In this configuration the phone wiring connects to the desk walljack first. The OverVoice walljack is installed at the desk.



The two pair connecting to the guest rooms are wired to the 12 Line filter block as shown